



*THERA-TURN[®] MILLENNIUM,
THERA-TURN MILLENNIUM 39
&
THERA-TURN MILLENNIUM
PLUS*

**Lateral Rotation System
With Controlled Low Air Loss**

Operating Instructions

Tridien Medical

Revision: AO-SM-MILTT-06

WARNING

Before operating this medical equipment, it is important to read this manual and to understand the operating instructions and safety precautions. Failure to do this could result in patient injury and/ or damage to the product.

This equipment uses, generates and radiates radio frequency energy and, if not installed and used in accordance with the instructions, may cause harmful interference to other devices in the vicinity. However, there is no guarantee that interference will not occur in a particular installation. If this equipment does cause harmful interference to other device, which can be determined by turning the equipment off and on, the user is encouraged to try to correct the interference by one or more of the following measures:

- Reorient or relocate the receiving device.
- Increase the separation between the equipment.
- Connect the equipment into an outlet on a circuit different from that to which other device(s) are connected.
- Consult with Tridien for help.

If you have any questions, please contact Tridien Customer Service at **800-474-4225** or **954-340-0500**.



**WITH RESPECT TO ELECTRIC SHOCK,
FIRE AND MECHANICAL HAZARDS ONLY
IN ACCORDANCE WITH UL 2601-1**

**WITH RESPECT TO ELECTRIC SHOCK, FIRE,
MECHANICAL AND OTHER SPECIFIED HAZARDS ONLY IN
ACCORDANCE WITH CAN/CSA C22.2 NO. 601.1,
MEDICAL EQUIPMENT CERTIFIED FOR CANADA**

Table of Contents

	<u>Page</u>
1.0 Safety Precautions	4
2.0 Product Overview	6
3.0 Installation	7
4.0 Operation	9
5.0 Maintenance And Cleaning	17
6.0 Troubleshooting Guide	21
7.0 Product Specifications	24
8.0 Warranty Information	25
9.0 Product Return	26

1.0 SAFETY PRECAUTIONS –

CAUTION! Certain medical conditions and treatments are **contraindicated** for use of the THERA-TURN MILLENNIUM, THERA-TURN MILLENNIUM 39 and THERA-TURN MILLENNIUM PLUS (“THERA-TURN”) systems. **Always consult with the patient’s physician before placing a patient on a lateral rotation system.**

CAUTION! Bed frames used with the THERA-TURN systems can vary greatly depending on the specific health care setting, e.g., hospitals, nursing homes, home care, etc. Therefore, it is the responsibility of the caregiver to take the necessary precautions to ensure the safety of the patient. This includes, but is not limited to, the appropriate use of side rails to prevent falls and/or patient entrapment.

IMPORTANT! Turning performance of the THERA-TURN is influenced by many factors, including but not limited to:

1. Patient height, weight and width.
2. Position of the Patient.
3. Number, length & position of side rails.
4. Distance between the bed rails and the THERA-TURN mattress. For optimal performance and safety, there should be no “gap” between the side rails and the THERA-TURN MATTRESS. If a gap exists, Tridien Medical (“Tridien”) provides *optional* External Bolsters. To order, contact Tridien Customer Service at **800-474-4225** or **954-340-0500**.

Electronic Controller –

DANGER!

- Do not use in the presence of flammable anesthetics. **Risk of explosion can result.**
- Only plug into a grounded “hospital grade” power receptacle and use the power cord supplied with the THERA-TURN system.
- Exposure of the electronic controller to any liquid while it is plugged in could result in a severe electrical hazard.
- Only use fuses that have the same specified rating (**See Section 7.0 Product Specifications**). Using fuses with higher ratings could result in damage and/or injury.

CAUTION!

- The 120 VAC, 60 Hz models of the THERA-TURN system incorporate fusing only in the ungrounded phase conductor. **These products must not be used in countries other than the United States or Canada.** They must be used in health facilities on grounded systems where conditions of maintenance and supervision ensure that only qualified persons will service the electrical distribution system.

Electronic Controller (Continued) –

CAUTION!

- The THERA-TURN MILLENNIUM, THERA-TURN MILLENNIUM 39 and THERA-TURN MILLENNIUM PLUS are separate lateral rotation systems. Do not interchange electronic controllers and mattresses.
- The electronic controller is a precision electronic product. Use care when handling or transporting. Dropping, or other sudden impacts, may result in damage to the controller.

CAUTION!

- Risk of Electric Shock. DO NOT OPEN. Do not attempt to repair or service the electronic controller. Repairs and service should only be done by Tridien. If the controller is not functioning properly, or has been damaged, unplug the unit and take it out of service immediately. Contact Customer Service at **800-474-4225** or **954-340-0500** for repair and service information.

IMPORTANT!

- Do not return a product for any reason without first contacting Customer Service to obtain return authorization (**See Section 9.0**).
- Do not place any objects/items, such as blankets, on, or over, the electronic controller. Excessive weight on the THERA-TURN controller could result in damage to the electronic controller.
- After exposure to extreme high or low temperatures, allow electronic controller to equilibrate to room temperature before operating.
- The THERA-TURN controller circulates room air during operation. Exposure to smoke may cause the system to fail. Therefore, smoking by patients, or visitors, while using the THERA-TURN system is strongly discouraged.
- The power cord to the electronic controller should be positioned to avoid a tripping hazard and/or damage to the cord. Tridien recommends placing the cord under the bed frame and attaching it to an electrical outlet by the head of the bed.

2.0 PRODUCT OVERVIEW -

The THERA-TURN systems are microprocessor controlled therapeutic **Lateral Rotation and Controlled Low Air Loss** mattress systems that will accommodate a wide range of patient weights. The weight ranges for each system are presented below

<u>System</u>	<u>Patient Weight Range</u>
• THERA-TURN MILLENNIUM	80-300 pounds
• THERA-TURN MILLENNIUM 39	80-500 pounds
• THERA-TURN MILLENNIUM PLUS	250-750 pounds

It is widely recognized that immobility can lead to serious physiological complications. The **Lateral Rotation** feature of the THERA-TURN systems provide a continuous turning motion by sequentially inflating and deflating air cells to rotate the patient to their right and/or left side. This turning helps to reduce the risk of pulmonary complications, as well as other medical conditions associated with immobility.

The patented *Controlled Low Air Loss* feature utilizes **MircoVent Technology** to provide a gentle flow of air directly to the patient's skin and helps to regulate heat/moisture and prevent tissue breakdown.

The THERA-TURN electronic controller provides a real-time display of the mode, duration, and extent of turn. All patient settings are stored in memory when the power is turned off. When the power returns, the THERA-TURN controller automatically returns to previous program settings.

The THERA-TURN systems have an "On Line" HELP screen to assist in system setup/operation.

3.0 INSTALLATION –

IMPORTANT! All products returned to Tridien must be in approved packaging. Therefore, it is recommended that all shipping/packing material be saved in the event that the product has to be sent back to Tridien.

3.1 Unpacking and Inspection -

Carefully remove the controller, mattress and all accessories from the shipping cartons. Inspect all items for any damage that may have occurred during shipping. Any damages, or missing components, should be reported to Tridien Customer Service, as soon as possible.

Mattress Replacement: The box contains:

THERA-TURN MILLENIUM:

- 36” mattress assembly with a zippered Low Air Loss Coverlet
- CPR Hose Assembly

THERA-TURN MILLENNIUM 39

- 39” mattress assembly with a zippered Low Air Loss Coverlet
- CPR Hose Assembly

THERA-TURN MILLENNIUM PLUS:

- 48” mattress assembly with a zippered Low Air Loss Coverlet
- CPR Hose Assembly

Electronic Controller: The electronic controller is in a separate box and contains:

- THERA-TURN Electronic controller
- Power cord
- Operating Instructions

3.2 Installation –

3.2.1 Mattress Replacement:

CAUTION! Before proceeding with THERA-TURN MILLENNIUM 39 or THERA-TURN MILLENNIUM PLUS mattress installation, verify that the bed frame is capable of supporting the patient’s weight.

1. Unroll the mattress replacement.
2. Remove the current mattress from the bed frame and replace with the THERA-TURN mattress assembly.
3. Position the mattress so that the:
 - Zippered coverlet is on the *top*
 - CPR hose socket (black square plate located on the side of the mattress) is to the *left* of the footboard
 - Single Low Air Loss (LAL) hose is to the *right* of the footboard
4. Ensure CPR hose assembly is CLOSED (See **Section 4.3**).

5. There are two (2) sets of straps with D-rings on each side of the mattress and one (1) at the head of mattress. Use these straps to secure the mattress replacement to the bed frame. Make sure the straps do not interfere with the moving components of the bed frame.
6. If not in place, install all side rails and raise them to the highest position.
7. Ensure there are no gaps between the side rails and the THERA-TURN mattress assembly.

3.2.2 THERA-TURN Electronic Controllers:

1. Hang the electronic controller on the upper outside edge of the footboard on the bed frame.

CAUTION! Placing the electronic controller in the patient's bed, in contact with the patient, or under any coverings, e.g., sheets, could result in serious injury and/or affect the system performance.

2. Attach the hoses from the mattress to the correct connectors on the controller:
 - Six (6) color-coded hoses to the corresponding color-coded connectors on the left side of the controller i.e., red to red, green to green, etc. (See **Diagram 1** Below)
 - LAL hose to the single connector on the right side of the controller (See **Diagram 2** Below).
3. Plug into a grounded 120 Vac 60 Hz electrical outlet.

DIAGRAM 1

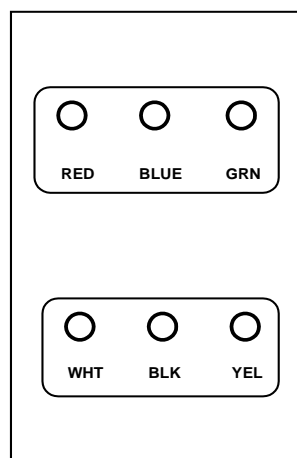


Diagram 1

DIAGRAM 2

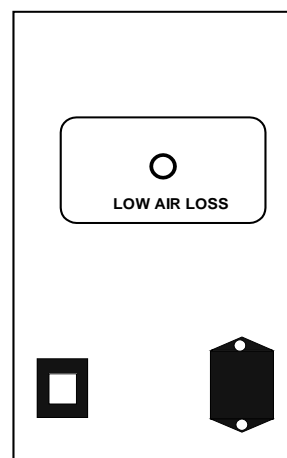


Diagram 2

4.0 OPERATION –

4.1 Key Functions and Settings:

Control Panel:

The control panels for the THERA-TURN MILLENNIUM, THERA-TURN MILLENNIUM 39 and THERA-TURN MILLENNIUM PLUS are identical.

Diagram 3 below shows the THERA-TURN MILLENNIUM PLUS Control panel.

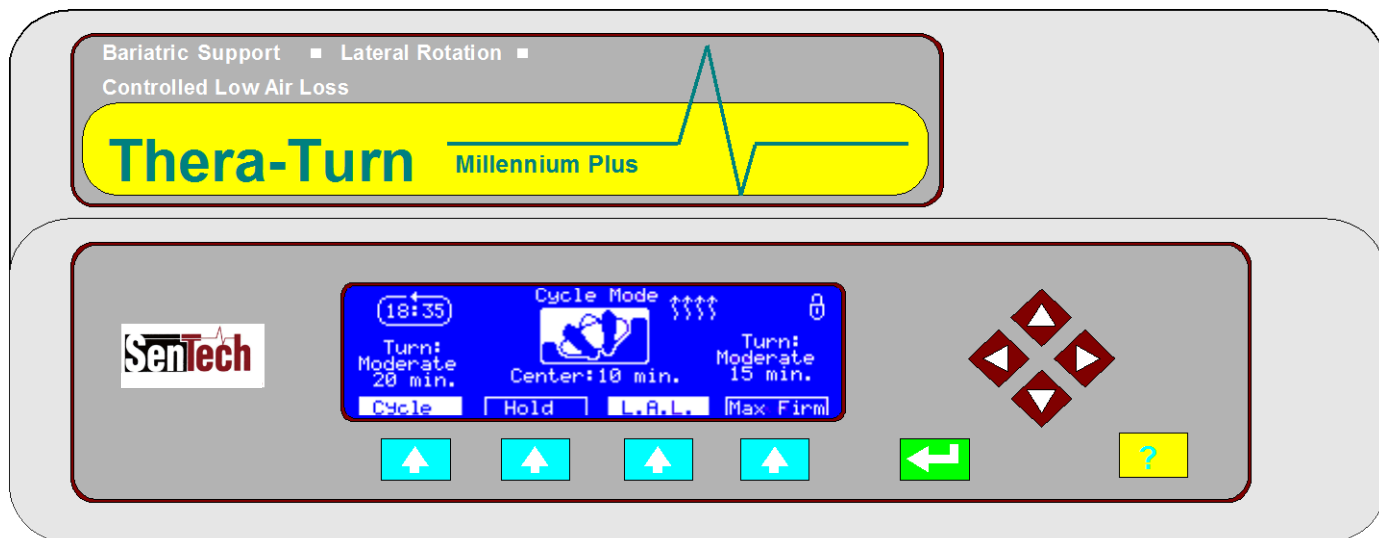


DIAGRAM 3

Keys:

ENTER KEY (Green)



Takes you into and out of the Set-Up screen.

HELP KEY (Yellow)



Accesses HELP screens.

ARROW KEYS (Maroon)



Tabs through the set-up menu.

4 MENU KEYS (Blue)



Selects menu options.

Power Switch:

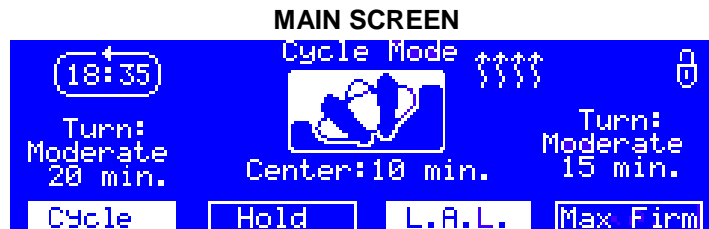
This Switch is located next to the electrical cord on the bottom right side of the unit. It is used to control the AC power to the unit.

Basic Features:

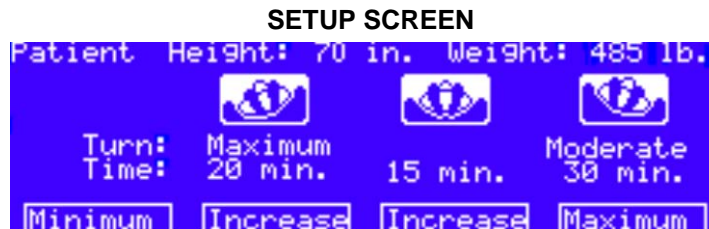
- CYCLE** Automatically rotates the patient to the left side, right side or both.
- HOLD** Stops cycle and holds the patient in the left, right or center position.
- L.A.L.** Turns the Controlled Low Air Loss (LAL) ON or OFF.
- MAX FIRM** Provides a firm surface for patient transfer and medical treatment.
- LOCK** Locks and unlocks the control panel.
- ALARM** Alerts the user when there is a leak in the system or when the system is left in the MAX FIRM mode for more than 30 minutes.

4.2 THERA-TURN Electronic Controller:

4.2.1 CYCLE: Automatically rotates the patient to the left side, right side or both.



1. Turn the power on by pressing the power switch located on the right side panel of the controller.
2. If the system is not already in CYCLE mode, select it by pressing the MENU key beneath the word CYCLE.



3. Press the green ENTER key located on the control panel. The entry field for **“Patient Height”** should be highlighted. Use the blue MENU keys at the bottom of the display to enter the correct height for your patient.

NOTE: Pressing the HELP (?) key while in the set up screen accesses a set-up tutorial.

4. Press the arrow key pointing to the right. The field for **“Weight”** should be highlighted. Use the blue MENU keys at the bottom of the display to enter the correct weight for your patient.
5. Press the maroon arrow key pointing to the right. The field for **“Turn”** should be highlighted on the left side. Select the desired amount of left turn using the four blue MENU keys. Press the maroon arrow key pointing to the right again and select the desired amount of right turn.
6. Press the maroon arrow key pointing to the right. The field for **“Time”** should be highlighted on the left side. Set the amount of time you would like the patient to be turned to the left. Press the maroon arrow key pointing to the right again to select the amount of time desired for the Center position. Repeat process to set the amount of time desired for the right turn.
7. Press the green ENTER key to begin the turning cycle.

NOTE: If no changes are made for thirty seconds the controller will automatically switch to the parameters currently entered.

4.2.2 HOLD: Holds patient in a selected position for an indefinite period of time.

HOLD SCREEN



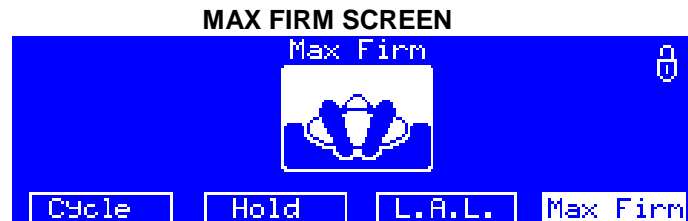
1. To hold patient in current position, press the blue MENU key underneath the word “HOLD”.
2. To change hold position, select desired direction (LEFT, RIGHT or CENTER):
 - For LEFT and RIGHT positions, select the amount of turn (GENTLE, MODERATE, MAXIMUM).
 - For CENTER positions, select comfort level using the MENU keys. Press the green ENTER key when finished to return to the main screen.

4.2.3 LOW AIR LOSS (LAL): Provides a gentle flow of air through the coverlet.

1. Pressing the blue MENU key underneath “LAL” turns the LAL on and off.
2. When LAL is on, the LAL on the screen is highlighted and the animated LAL icon is displayed.

NOTE: Air for LAL is only delivered when the air cells are *not* being inflated.

4.2.4 MAX FIRM: Provides a flat stable surface for patient transfer and medical treatment.



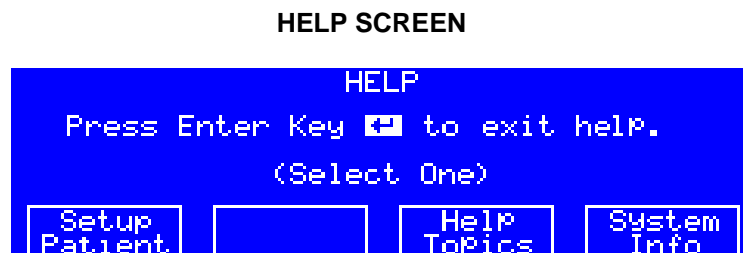
1. Select MAX FIRM by pressing the blue menu key underneath the words "MAX FIRM".
2. When the transfer/treatment is complete, return to desired mode of therapy by pressing appropriate MENU key.
3. If patient remains in MAX FIRM position for more than 30 minutes, an alarm on the electronic controller will sound. This alarm only indicates that the patient has been in the MAX FIRM position for an unexpected length of time. It does NOT indicate a system problem.
4. When the audio alarm sounds, the message shown in the diagram below will be seen on the controller display panel:
5. To shut off the alarm, you must select an operating mode, either CYCLE, HOLD or MAX FIRM. Selecting L.A.L. will not turn off the alarm.
6. If MAX FIRM is selected, the alarm timer will "reset" and the alarm will sound again after 30 minutes.

4.2.5 LOCK: Prevents modifications of system settings.

1. Press and hold the ENTER key.
2. When the menu changes, press the blue MENU key underneath the word "LOCK" to lock and unlock the system setting.
3. The *lock icon* on the display panel indicates the lock status. If open, the system is unlocked. If closed the system is locked.

NOTE: The system always powers-up with the system unlocked.

4.2.6 HELP: Provides user assistance and system information.



1. To access the help feature, press the yellow HELP [?] key.
2. There are three (3) options on the HELP screen:

PATIENT SETUP – Interactive guide for system setup, including setting patient height, weight, turn positions and amount of turn.

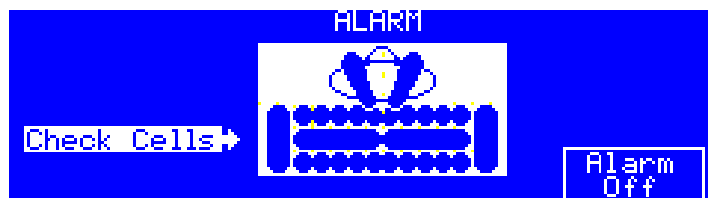
HELP TOPICS – General guide for system operation. Use maroon arrow key to scroll through the help screens and green ENTER key to exit HELP:

- **Basics** – General description of HOLD and CYCLE modes
- **Cycle** – Explains icons, screen details and limits of settings.
- **Hold** - Explains icons, screen details and limits of settings.
- **Options** – Explains the Low Air Loss (LAL) and LOCK features.

SYSTEM INFO – Displays hours of system operation since the date of manufacture and the software revision.

4.2.7 ALARM: Provides an audio-visual indicator when:

ALARM SCREEN

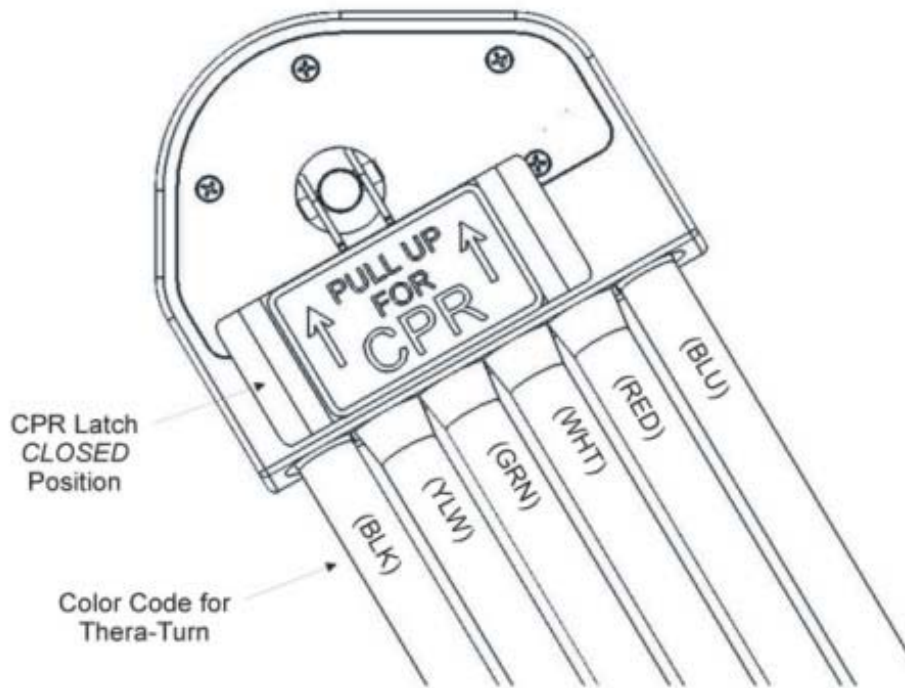


1. Air mattress does not reach required pressure in 20 minutes or less (See alarm screen on page 10).
2. When MAX INFLATE is left on for more than 30 minutes.

4.3 CPR OPERATION –

4.3.1 The *Low Profile CPR* provides caregiver with the ability to rapidly evacuate air from the support surface in emergency situations. The CPR is located at the foot of the mattress on the patient's right side and is permanently attached to the mattress. The *Low Profile CPR* is shown in **Diagram 4** below.

DIAGRAM 4 –CLOSED Position



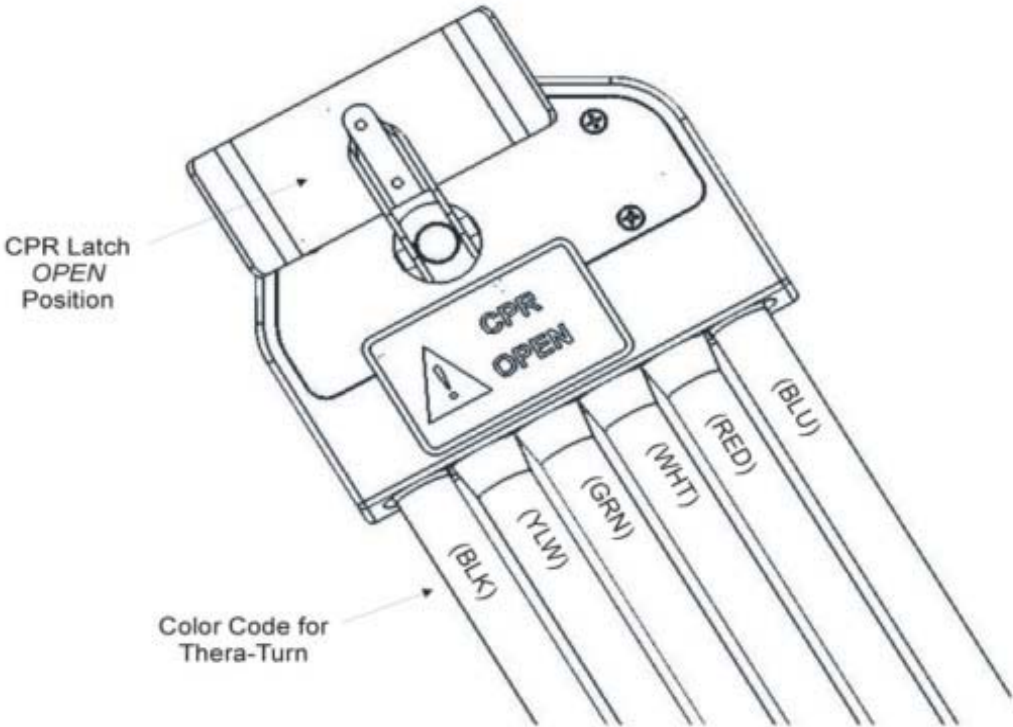
CAUTION!

- Loose hoses can be a tripping hazard. Use caution when transporting the mattress.
- DO NOT immerse the CPR in any liquids.
- Avoid exposure to high heat and/or solvents.
- Protect hoses from sharp or pointed objects that could cut, puncture or tear the material.
- DO NOT attempt to repair the CPR. If damaged or not working properly, call Tridien Customer Service at **800-474-4225** or **954-340-0500** for service information.

4.3.2 Setup & Operation

1. Before operating the system, make sure that the CPR Latch is *completely* down in the CLOSED position (See **Diagram 4**).
2. To activate the CPR and rapidly evacuate the air from the mattress, pull the CPR Latch *completely* up to the OPEN position (See **Diagram 5**). Rate of evacuation is dependent on the weight of the patient.
3. To resume normal operation of the mattress, push the CPR Latch *completely* down to the CLOSED position.

DIAGRAM 5 – OPEN Position

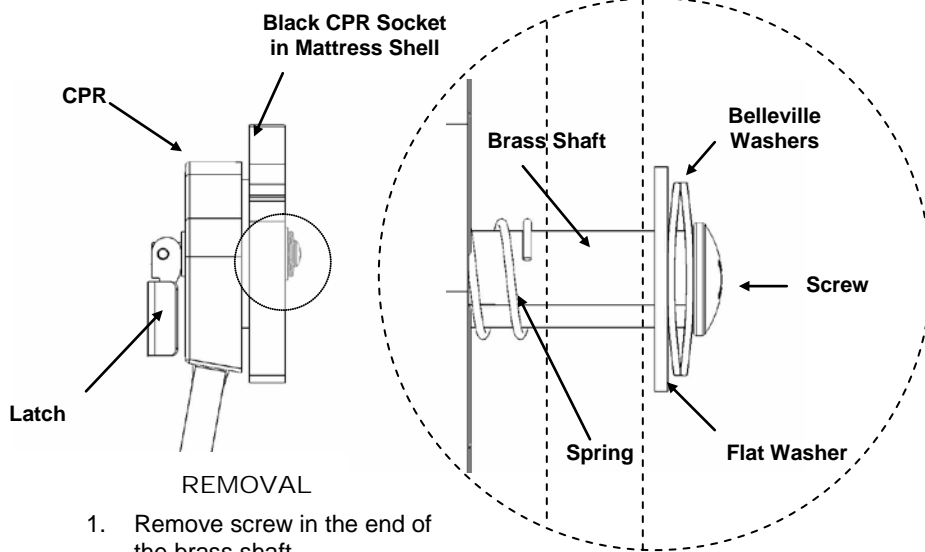


4.3.3 CPR Troubleshooting Guide –

Problem	Cause	Solution
1. CPR Leaks	<ul style="list-style-type: none"> a) CPR Latch is not completely down in the CLOSED position. b) Material between the CPR block and the socket is preventing a proper seal. c) Belleville washers are not properly aligned. d) Screw on brass shaft is not tight. e) O-ring(s) are missing/damaged. 	<ul style="list-style-type: none"> a) Make sure the CPR Latch is <i>completely</i> down in the CLOSED position. b) Make sure that nothing is between the CPR block and the mattress shell that is preventing full closure of the CPR, e.g., sheet/blanket. c) Open CPR latch, loosen screw, align washers onto brass shaft, and retighten screw so that head of screw contacts brass shaft. Close CPR latch. d) Open CPR latch and re-tighten screw. Close CPR latch. e) Contact Tridien Customer Service at 800-474-4225 or 954-340-0500 for service information.
2. CPR loose when latch is in the CLOSED position.	<ul style="list-style-type: none"> a) Screw on brass shaft is not tight. b) CPR components are missing or improperly installed. 	<ul style="list-style-type: none"> a) Tighten screw. b) Refer to “CPR REMOVAL/INSTALLATION” See Section 4.3.4 below.

4.3.4 CPR REMOVAL/INSTALLATION –

The CPR is permanently attached to the mattress and should *not* need to be removed. However, if necessary, it can be removed and reinstalled by following the directions below:



- REMOVAL
1. Remove screw in the end of the brass shaft.
 2. Remove two (2) Belleville washers.
 3. Remove flat washer.
 4. Slide CPR assembly out of the CPR socket.
 5. Remove the spring.

INSTALLATION

1. Place Spring on the brass shaft of the CPR.
 2. Slide brass shaft through the hole in the CPR socket.
 3. With latch in open position, align two holes in CPR block with two screws (with spacers) on CPR socket.
 4. Squeeze CPR block and socket together and place the flat washer onto the brass shaft.
 5. Place the two (2) Belleville washers onto the brass shaft, as noted.
- IMPORTANT!** Make sure the two (2) Belleville washers are oriented so that when they are together they form a "pocket".
6. Thread the screw into the end of the brass shaft. Tighten ensuring that the washers are centered on the brass shaft and head of screw contacts brass shaft.

5.0 MAINTENANCE AND CLEANING –

IMPORTANT! All disinfection should be done with a "hospital-grade" disinfectant registered with the Environmental Protection Agency (EPA) and in accordance with the manufacturer's specified instructions. Check manufacturer's instructions before use.

5.1 Electrical Controller:

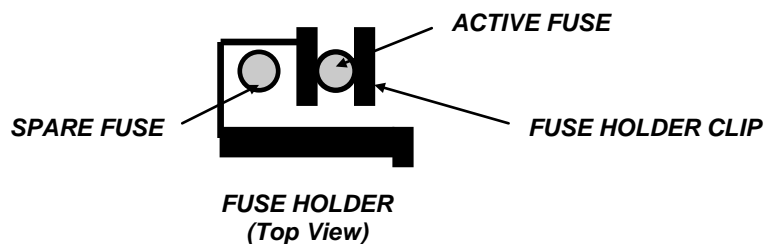
The electronic controller is easy to maintain:

5.1.1 Fuse Replacement:

CAUTION! Only use *UL-Approved* fuses that have the same rating as specified (See **Section 7.0**). Using fuses with higher ratings could result in damage and/or injury.

One (1) replacement fuse is provided with your controller and is located in the compartment on the electrical cord socket. To replace a fuse:

1. Ensure the power switch is in the OFF position.
2. Remove the power cord from the electrical socket on the side of the controller.
3. Using a small sized flat-head screwdriver, pry the fuse holder away from the socket and slide it out of the socket.
4. Remove the "blown" fuse from the fuse holder clip and discard.
5. Remove the spare fuse from the storage compartment and install it into the fuse holder clip (See Diagram Below):



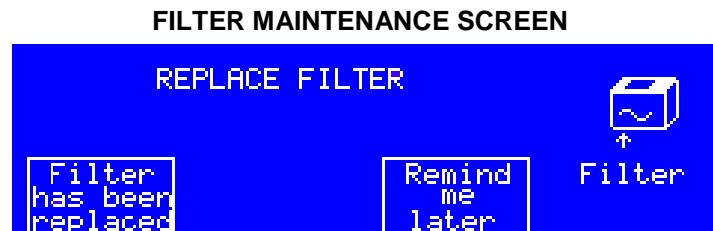
6. Push the fuse holder completely back into the electrical socket it until it "snaps" into place.

NOTE: The fuse holder must be properly oriented to slide in correctly. Do not force!

7. Replace power cord and turn on the controller.

5.1.2 Filter Maintenance:

The microprocessor in the controller is programmed to notify you to clean the filters after ~ 800 hours of use (See the Filter Maintenance screen below).



It is very important that you clean the filter when notified. To clean the filter:

1. Unplug the electronic controller.
2. On the bottom of the unit, there are two (2) filter housings:
 - White – Air Intake Filter
 - Black – Cooling Fan Filter
3. Open the filter grill covers and remove the filters. DO NOT unscrew the filter assembly.
4. Clean the filters by washing in a mild detergent and allow to air dry.
5. Insert the filters into the filter housing and replace the grill covers.
6. If the filters cannot be cleaned, or become damaged, contact Tridien Customer Service for replacement filters.

IMPORTANT! Good filter maintenance is critical in keeping your THERA-TURN controller in optimal operating condition. Failure to keep the filters clean will result in system downtime and increased repair costs

- 5.1.3** The exterior of the controller should be periodically wiped down with cloth dampened with disinfectant.

CAUTION! DO NOT spray disinfectant directly on the electrical controller, or immerse the controller in any type of liquid. This could result in a severe electrical hazard.

- 5.1.4** Before plugging in the controller, check the power cord for electrical hazards, e.g., cuts, exposed wires, worn insulation, etc. If hazards are present, take the controller out of operation immediately and contact Tridien Customer Service

- 5.1.5** To ensure optimal performance of your THERA-TURN system, calibration should be verified every 12 months. Contact Tridien Customer Service for calibration information.

5.2 Coverlet

5.2.1 Washing and Disinfecting:

If there are visible signs of body fluids and/or substances present, coverlets should be washed between patients. Coverlets can be machine-washed using chlorine bleach (50-150ppm) or an *intermediate level* disinfectant, such as ProTech¹. Bleach and disinfectant should be used according to the manufacturer's instructions. To determine the amount of bleach or disinfectant to use, determine the amount of water in the washer and then follow the *manufacturer's dilution instructions*. Soak the coverlet in the disinfectant or bleach during the wash cycle. Rinse thoroughly in clean water and dry before use.

NOTE! 2.5 ounces of bleach per 10 gallons of water is approximately 100ppm of available chlorine.

CAUTION! Heat will severely damage the material. DO NOT dry the coverlet using the "heat" cycle. Air dry, or use a "non-heat" dry cycle, e.g., air fluff.

5.2.2 Washing Alternative

If there are no visible signs of body fluids and/or substances present, the coverlet can be sanitized between patients. To sanitize the coverlet:

1. Apply chlorine bleach, or an intermediate level disinfectant at the appropriate dilution (See **Section 5.2.1**) to the upper surface of the coverlet. Bleach/disinfectant may be applied either by spraying or by hand application.
2. Ensure surface is completely covered with the bleach/disinfectant.
3. Allow bleach/disinfectant to remain in contact with the surface according to the manufacturer's instructions.
4. Remove bleach/disinfectant and rinse.
5. Allow to air dry before use.

5.3 Outside Shell:

Wipe down with disinfectant, ensuring that all surfaces come in contact with the disinfectant. Rinse off with a clean damp cloth and allow to air dry.

5.4 Air Cell Assembly:

CAUTION! DO NOT machine wash or dry the air cells.

The air cell assembly does not routinely need to be cleaned or disinfected between patients.

IMPORTANT! DO NOT disassemble the THERA-TURN MILLENNIUM PLUS mattress, unless cleaning/disinfection is required.

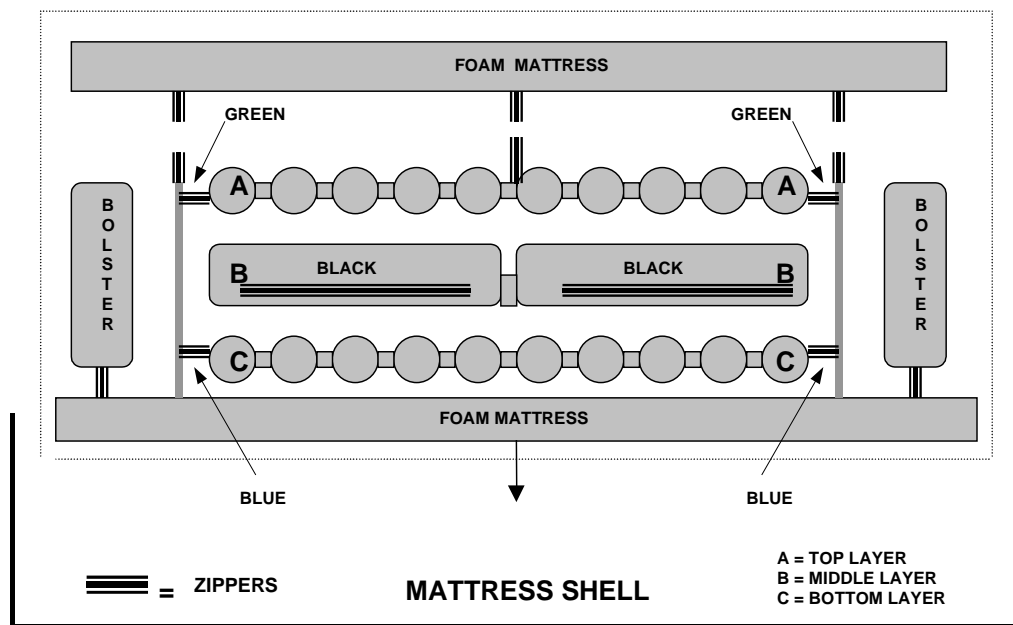
1. ProTech[®] is a tuberculocidal disinfectant cleaner and a registered trademark of Central Solutions, Inc.

If cleaning/disinfection is required, disassemble the mattress using the color-coded zippers.

IMPORTANT! DO NOT disconnect the hoses from the air cells.

Wipe each layer of air cells with disinfectant and rinse thoroughly. Allow to air dry and reassemble. For the THERA-TURN MILLENNIUM PLUS, reassemble mattress according to the following diagram ensuring that the color-coded zippers are matched.

THERA-TURN MILLENNIUM PLUS Air Cell Assembly



5.5 Foam Mattress: The foam mattress is fully enclosed in a nylon-urethane cover and should not require cleaning. However, if it does become “visibly” soiled, it may be wiped down with disinfectant, ensuring that all surfaces come in contact with the disinfectant. Wipe off with a clean damp cloth and allow to air dry.

5.6 CPR Assembly: The exterior of the CPR can be periodically wiped using a cloth dampened with disinfectant.

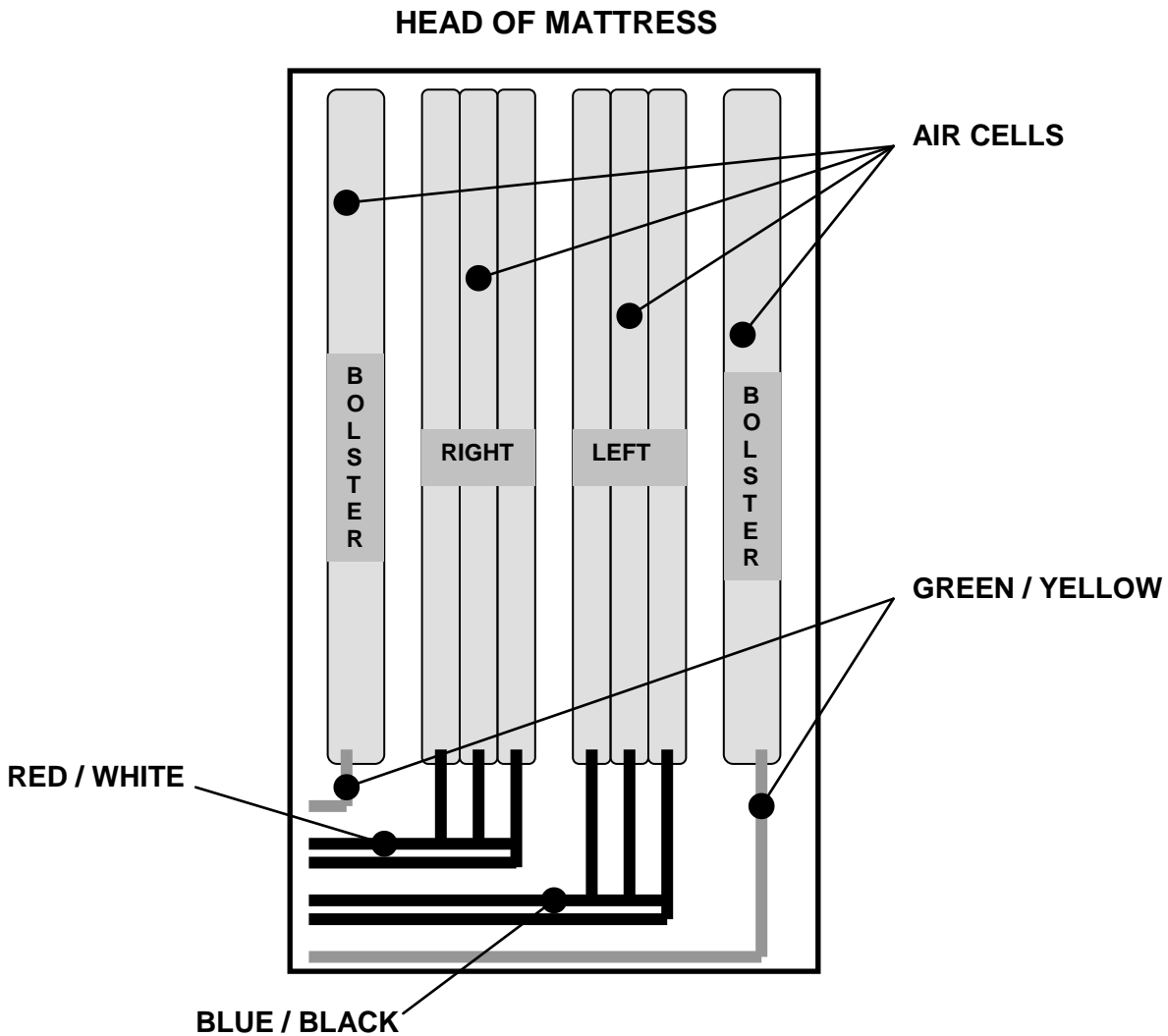
6.0 TROUBLESHOOTING GUIDE –

Problem	Cause	Solution
1. Alarm is on.	<p>The alarm is activated when:</p> <ol style="list-style-type: none"> 1) The air cells do not reach programmed pressure in less than or equal to 20 minutes. This is usually an indication of an air leak in the system. The display screen will indicate which section is leaking. 2) The system has been left in MAX FIRM for more than 30 minutes. 	<ol style="list-style-type: none"> 1a) Check the CPR assembly (See Section 4.3) 1b) Be sure all hoses are properly connected to the controller. Check all hoses along the inside of the mattress. Each hose should be tightly connected. 1c) Check each air cell to ensure there are no leaks. (It will be easier to detect a possible leak if you place the system in the HOLD mode.) Once the leak has been resolved, the alarm light will automatically turn off after three cycles. To reset the system more quickly, turn the power off and then on again to reset. 2) Select HOLD or CYCLE therapies.
2. Patient is turning too much or too little.	<p>The selection made for the extent of turn may not be correct for the patient.</p>	<p>Enter the set-up screen by pressing the green arrow key and change the extent of turn i.e., GENTLE, MODERATE or MAXIMUM.</p>
3. Display readings appear scrambled.	<p>Power surges can cause the controller to temporarily malfunction.</p>	<p>Turn controller power off for 5 seconds, then on again to reset.</p>
4. Controller is inoperable.	<p>May be caused by a power surge substantial enough to overload the internal circuitry.</p> <p>Or</p> <p>May be caused by internal damage.</p>	<p>Check fuse on power cord socket by opening the fuse compartment. NOTE: If you need to replace the fuse, there is a spare 3.15A fuse in the fuse compartment.</p> <p>Or</p> <p>Call Tridien Medical at 800-474-4225</p>

6.0 TROUBLESHOOTING GUIDE (Continued) –

Problem	Cause	Solution
5. Hoses in mattress are disconnected.	Accidental detachment or disconnected during cleaning.	Re-attach hoses according to following diagrams: Diagram 6: Thera-Turn Millennium Diagram 7: Thera-Turn Millennium Plus

THERA-TURN MILLENNIUM & THERA-TURN MILLENNIUM 39* (TOP VIEW)



* **NOTE!** The THERA-TURN MILLENNIUM 39 has four (4) air cells in the right and left air cell sections, but the color coding of the hosing remains the same

THERA-TURN MILLENNIUM PLUS (END VIEW)

FOOT OF MATTRESS

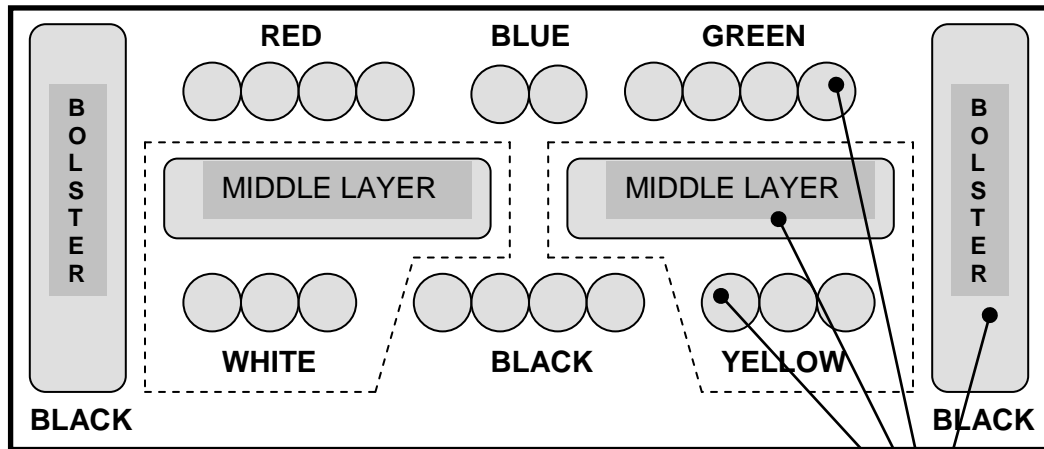


DIAGRAM 7

AIR CELLS

7.0 PRODUCT SPECIFICATIONS –

Product Specifications for your THERA-TURN system are presented below:

Electronic Controller –


Physical Dimensions:


Height (Inches)	12.1
Width (Inches)	14.5
Depth (Inches)	6.0
Weight (Pounds)	21

Electrical Parameters:

US and Canada:

UL2601 Classification Class I

Type B 

Power Requirements 120VAC, 60Hz
 Fuse 3.15A, 250V, Fast Acting (*UL-Approved*)
 Maximum Current < 1.0A
 Ground Protective Earth 

Europe:

Power Requirements 240VAC, 50Hz
 Fuse 1A, 250V, Fast Acting
 Maximum Current < 0.5A

Operating Parameters:

Weight Range (Pounds)	
THERA-TURN MILLENNIUM	80-300
THERA-TURN MILLENNIUM 39	80-500
THERA-TURN MILLENNIUM PLUS	250-750
Height Range (Inches)	50-75 (78 for THERA-TURN MILLENNIUM 39)
Turn Time Range (Minutes)	4-90 (Left/Right); 0-90 (Center)

Environmental Conditions:

Operating Conditions:

Ambient Temperature (°C) +10 to +40
 Relative Humidity (%) 30 to 75
 Atmospheric Pressure (hPa) 700 to 1060

Storage/Shipping Conditions:

Ambient Temperature (°C) -20 to +70
 Relative Humidity (%) 10 to 100
 Atmospheric Pressure (hPa) 500 to 1060

Mattress Replacement (Fully-Inflated) –

Physical Dimensions:

	<u>THERA-TURN</u>	<u>THERA-TURN 39</u>	<u>THERA-TURN PLUS</u>
Height (Inches)	12	12	14
Width (Inches)	36	39	48
Length (Inches)	80	80	80
Weight (Pounds)	24	27	42

8.0 WARRANTY INFORMATION –

LIMITED WARRANTY

Tridien Medical (“Tridien”) warrants each of its products to perform in accordance with established specifications for the following time periods, starting from date the product was shipped from the Tridien facility.

Stage IV & Millennium Systems

Compressor Pump: 3 Years

Electronic Controller: 2 Years

Soft Goods: 1 Year

Primary Care, Sentry, Express & Air Chair Systems

Compressor Pump: 2 Years

Electronic Controller: 1 Year

Soft Goods: 1 Year

Battery: 6 Months

Recliner Chair: 2 Years

During the warranty period, Tridien will repair or replace at no charge any products that are not performing in accordance with established specifications, unless the problem/failure is due to (1) customer damage, negligence and/or misuse or (2) unauthorized repairs. Items not covered under warranty include, but are not limited to: stains, punctures, cuts, damages to electrical cords, rips or tears, dents and/or lost/missing parts.

All products returned for warranty repairs must be assigned a return authorization number, prior to return. Returns should include Information describing the problem and/or requested repair and be sent to Tridien by prepaid transportation. Tridien will return the repaired/replaced product at no charge. Warranty repairs do not extend the length of the warranty period. During the warranty period, Tridien will provide one Bio-Med test at no charge, excluding shipping/handling.

Neither Tridien, its officers, directors, employees or agents shall be liable for consequential or other damages, including but not limited to personal injury, loss, or any other expense, directly or indirectly arising from the use of its products. The sole remedy for breach of the limited warranty granted herein shall be repair or replacement of the Tridien products.

All product specifications are subject to change without notice.

9.0 PRODUCT RETURN –

The THERA-TURN MILLENNIUM and the THERA-TURN MILLENNIUM PLUS systems have been designed to provide you with years of trouble-free service. However, in the event that the product needs to be returned for any reason, such as calibration or repair, the following return procedure must be followed. Failure to follow this procedure may result in unnecessary delays.

Return Procedure -

Before returning a product to Tridien:

1. Contact Customer Service and obtain a **Return Material Authorization (RMA)** number.
2. Package the product in its “approved” packaging.
3. Reference RMA number on the shipping container and shipping documents.
4. Ship product to the attention of Customer Service at the following address:

Tridien Medical
4200 NW 12th Avenue
Coral Springs, FL 33065
Attention: Customer Service / RMA <Number>

Tridien Medical
4200 NW 120th Avenue
Coral Springs, FL 33065

Phone: 954-340-0500
FAX: 954-340-0511
Web Site: tridien.com

THERA-TURN is a registered trademark of
Tridien Medical
Coral Springs, FL